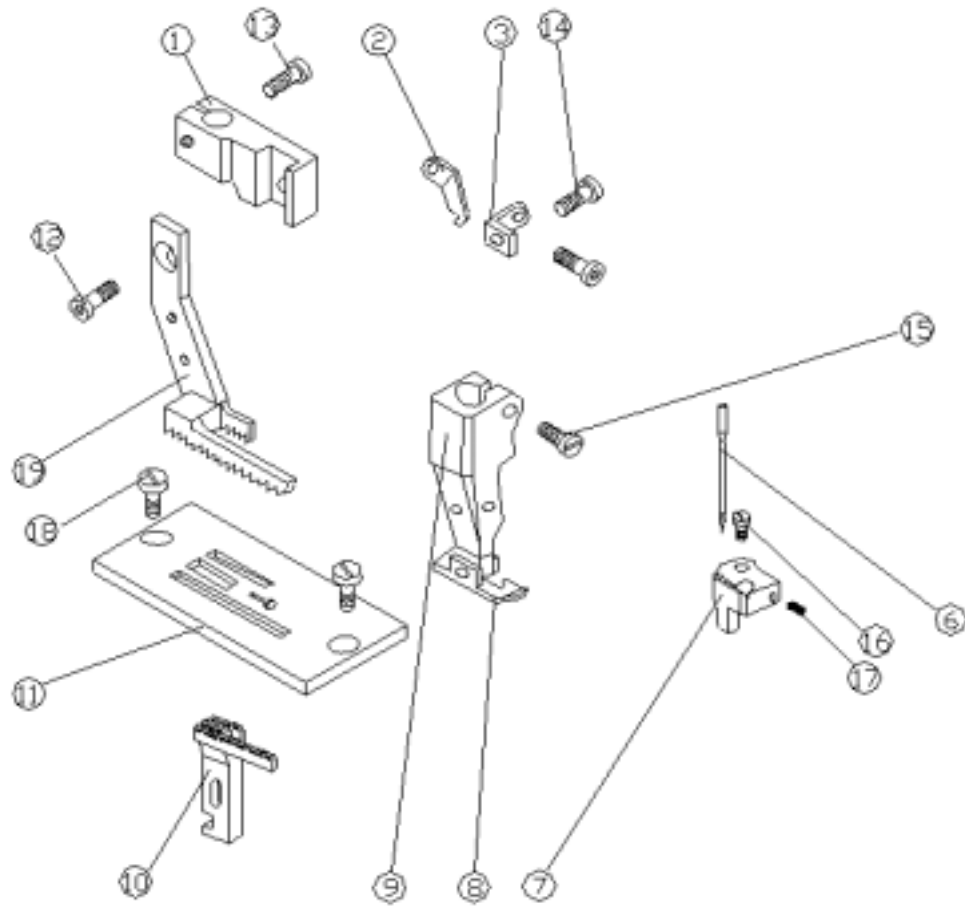


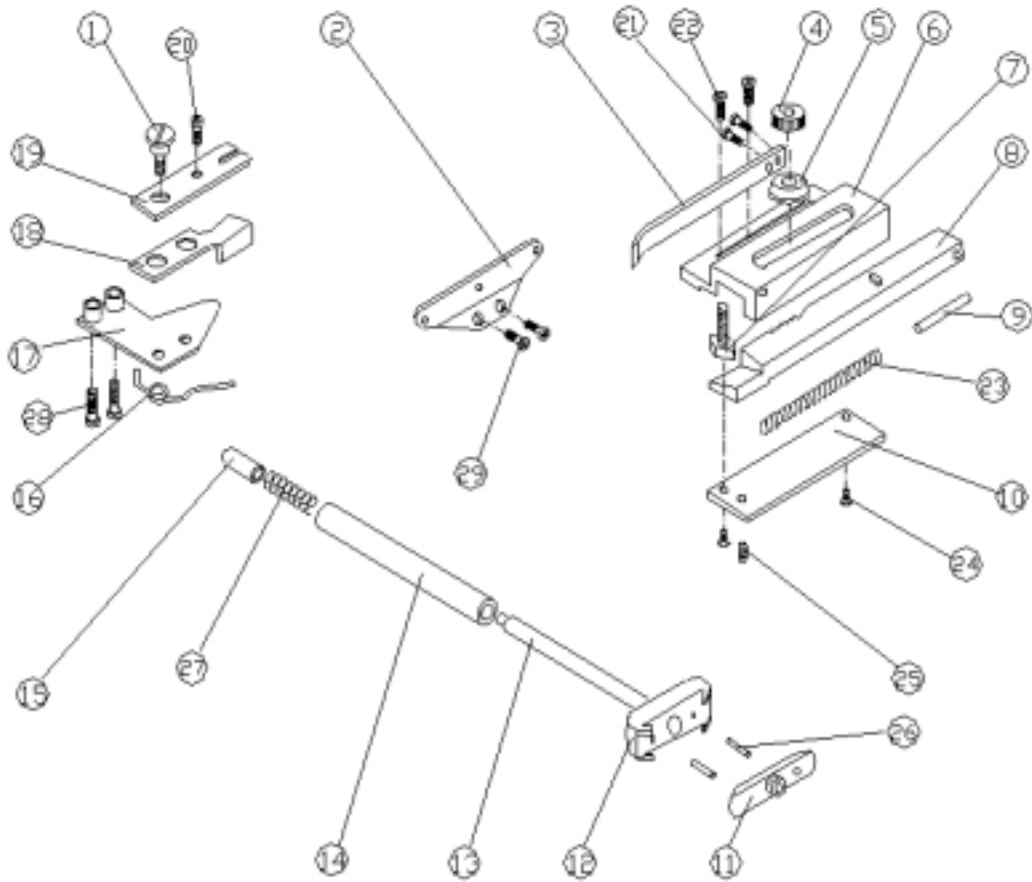
**ITALIA** Stitch C-700  
イタリア・ステッチ  
PARTS LIST

**ITALIA STITCH C-700  
PARTS LIST**



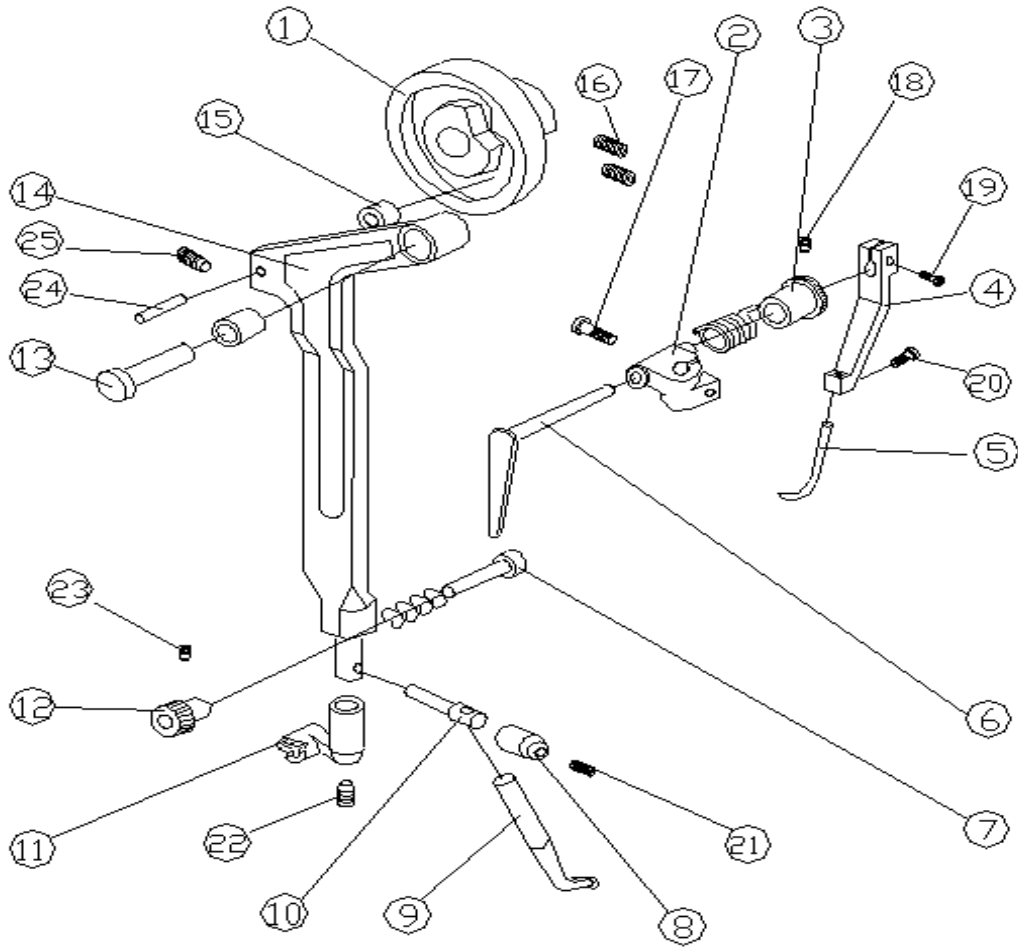
Item	Part Number	Description	Qty
1	01-34	Walking Presser Holder	1
2	01-42	Eye Screw	1
3	01-47	Adjusting Screw Bracket	1
4	10-01	Hex. Soc. Hd. Cap Screw	1
5	10-02	Eye Guide Support Slide	1
6	10-03	Needle	1
7	02-02	Tongue Holder	1
8	01-32	Presser Foot	1
9	01-01	Presser Foot Holder	1
10	03-21	Drop Feed Dog	1
11	07-19	Throat Plate	1
12	10-04	Hex. Soc. Hd. Cap Screw	1
13	10-05	Screw	1
14	10-06	Screw	1
15	10-07	Screw	1
16	10-08	Screw	1
17	10-09	Hex. Soc. Set. Screw	1
18	10-10	Screw	1
19	01-33	Walking Presser	1

ITALIA STITCH C-700  
PARTS LIST



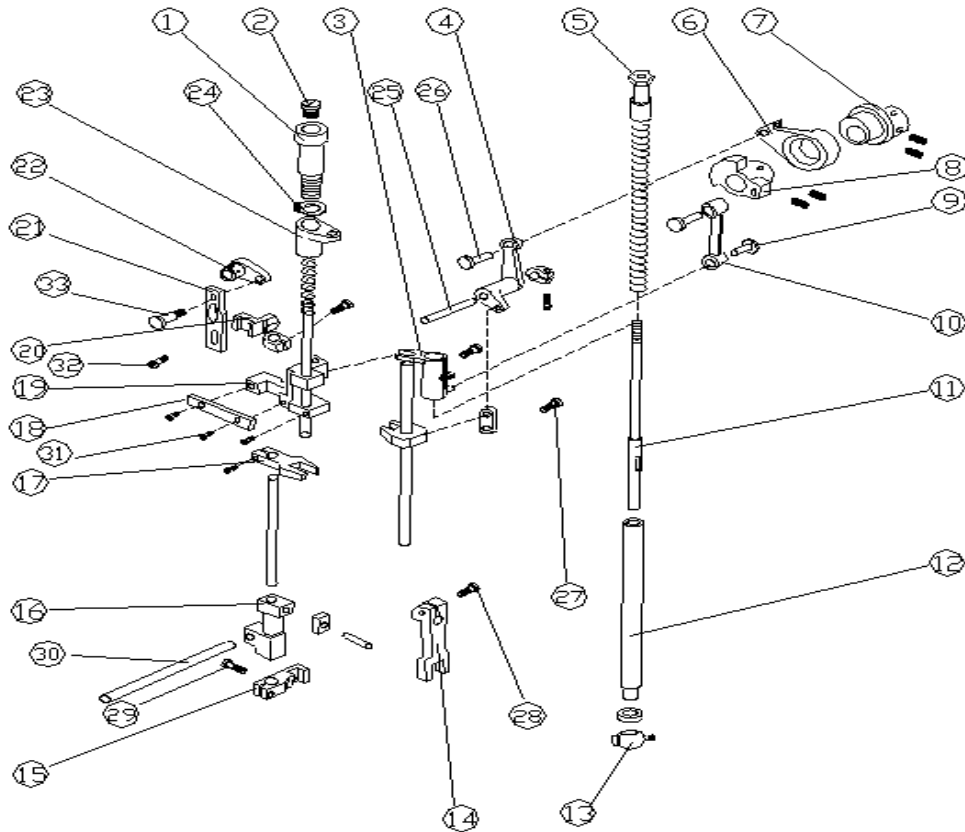
Item	Part Number	Description	Qty
1	J-01	Shoulder Screw	1
2	09-36	Thread Guide	1
3	07-29	Catch Spring	1
4	07-34	Nut	1
5	07-35	Washer	1
6	07-12	Guide Bracket	1
7	07-33	Screw	1
8	07-11	Edge Guide Bar	1
9	07-30	Stud	1
10	07-10	Bottom Cover	1
11	06-42	Front Pressure Plate	1
12	06-31	Rear Pressure Plate	1
13	06-34	Nipper Release	1
14	06-43	Guide Sleaver	1
15	10-11	Vam Follower Cap	1
16	J-02	Scissor Return Blande Spring	1
17	J-03	Stationary Scissor Blade	1
18	J-06	Moving Scissor Blade	1
19	J-04	Scissor Spring Blande	1
20	10-12	Hex. Soc. Hd. Cap Screw	1
21	10-13	Hex. Soc. Hd. Cap Screw	2
22	10-14	Hex. Soc. Hd. Cap Screw	2
23	07-30	Spring	1
24	10-15	Hex. Soc. Flat Hd. Cap Screw	2
25	10-16	Hex. Soc. Set. Screw	1
26	06-32	Pin	2
27	06-33	Spring	1
28	10-17	Hex. Soc. Hd. Cap Screw	2
29	10-18	Hex. Soc. Hd. Cap Screw	2

ITALIA STITCH C-700  
PARTS LIST



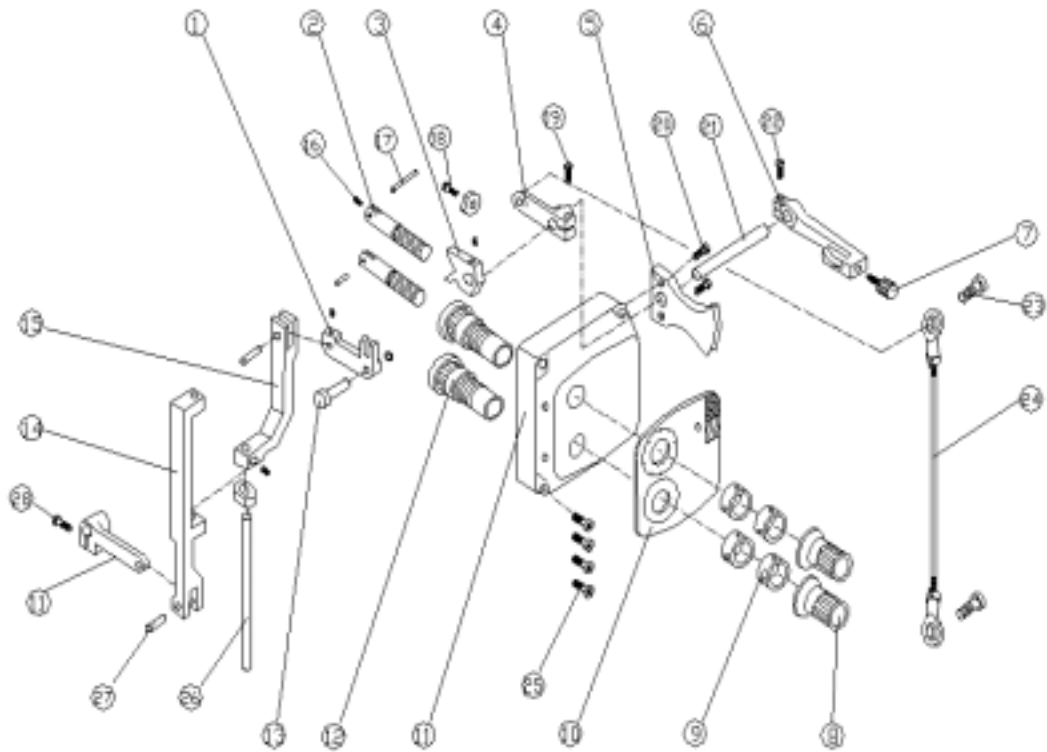
Item	Part Number	Description	Qty
1	06-26	Upper Looper Drive Cam	1
2	01-02	Stitch Slackening Shaft Bushing	1
3	01-04	Spring Housing Cap	1
4	01-43	Stitch Slackening Finger Carrier Arm	1
5	01-44	Stitch Slackening Finger	1
6	01-30	Stitch Slackening Rock Shaft	1
7	06-38	Roller Stud	1
8	10-19	Upper Looper Holder Bell	1
9	06-09	Upper Looper	1
10	06-08	Upper Looper Holder Stud	1
11	06-37	Upper Looper Support	1
12	06-30	Cam Follower Needle Bearing	1
13	06-15	Hinge Stud	1
14	06-12	Upper Looper Lever	1
15	10-20	Needle Bearing	1
16	10-21	Hex. Soc. Set. Screw	2
17	10-22	Hex. Soc. Hd. Cap Screw	1
18	10-23	Hex. Soc. Set. Screw	1
19	10-24	Hex. Soc. Hd. Cap Screw	1
20	10-25	Hex. Soc. Hd. Cap Screw	1
21	10-26	Hex. Soc. Set. Screw	1
22	10-27	Hex. Soc. Set. Screw	1
23	10-28	Hex. Soc. Set. Screw	1
24	06-13	Bearing Pin	1
25	10-29	Hex. Soc. Set. Screw	1

**ITALIA STITCH C-700  
PARTS LIST**



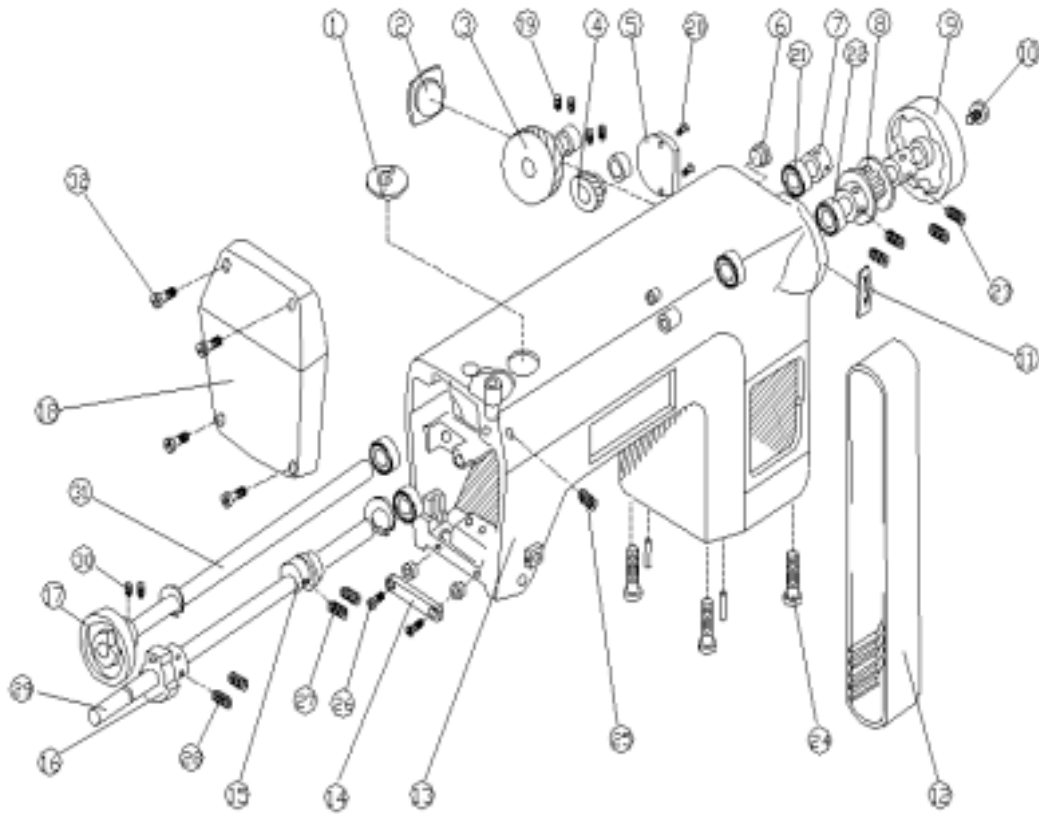
Item	Part Number	Description	Qty
1	01-20	Presser Regulator Screw	1
2	10-30	Plug Screw	1
3	02-06	Needle Bar Guide	1
4	01-12	Belt Crank	1
5	02-14	Adjustable Cap	1
6	01-06	Connecting Link	1
7	01-08	Walking Pressing Lifting Eccentric	1
8	02-20	Needle Bar Crank	1
9	10-31	Hinge Pin	1
10	02-19	Connection Link With Bearing	1
11	01-23	Inner Bar	1
12	02-05	Needle Bar	1
13	02-03	Needle Clamp	1
14	01-19	Fork Lever	1
15	01-34	Walking Presser Holder	1
16	01-29	Walking Presser Foot Drive Bushing	1
17	01-46	Guide Fork	1
18	10-32	Guide	1
19	01-05	Walking Passer Lifting Bracket	1
20	09-29	Cam Block	1
21	06-28	Presser Feet Lifting Link	1
22	06-11	Lifting Crank	1
23	01-25	Pressure Regulation Nut	1
24	10-33	Retaining Ring	1
25	10-34	Pivot Shaft	1
26	10-35	Hing Pin	1
27	10-36	Hex. Soc. Hd. Cap Screw	1
28	10-37	Hex. Soc. Hd. Cap Screw	1
29	10-38	Hex. Soc. Hd. Cap Screw	1
30	10-39	Slide Bar	1
31	10-40	Hex. Soc. Hd. Cap Screw	2
32	10-41	Hex. Soc. Hd. Cap Screw	1
33	10-42	Shoulder Screw	1

**ITALIA STITCH C-700  
PARTS LIST**



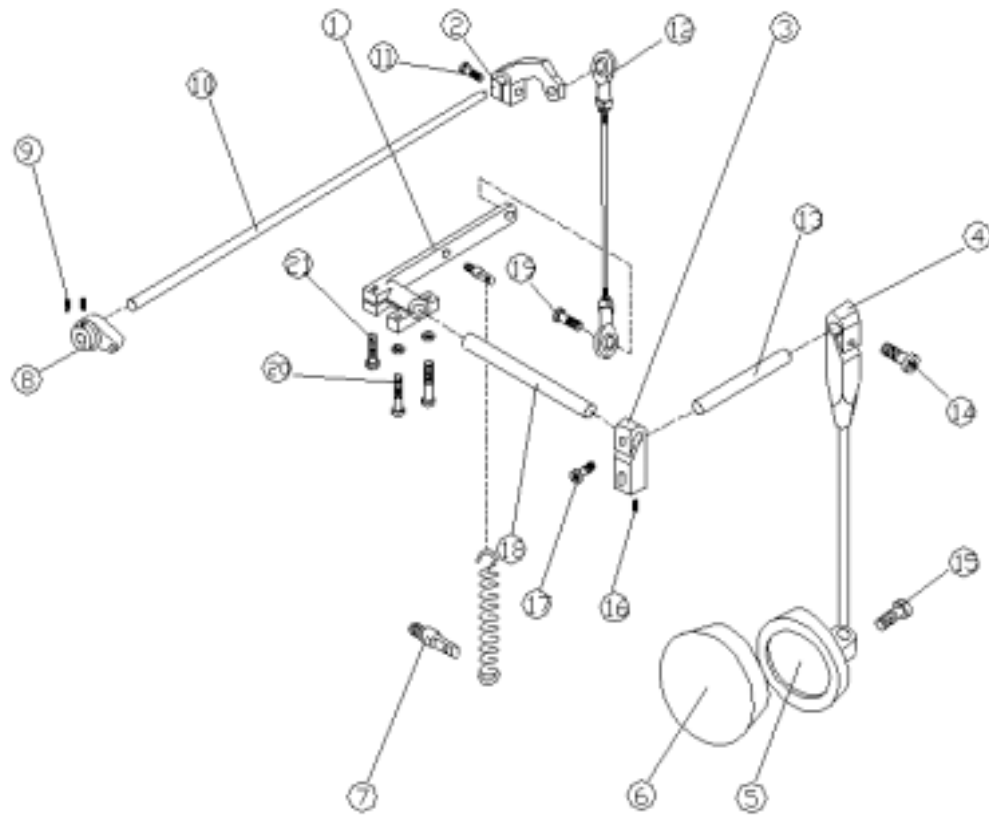
Item	Part Number	Description	Qty
1	09-04	Stitch Length Control Fock Lever	1
2	09-05	Stitch Shortening Regulation Screw	2
3	09-18	Stitch Sequence Inversion Prism	1
4	09-19	Panel Clamp Lever	1
5	09-03	Stitch Inverting Lever Guide Plate	1
6	09-01	Stitch Inverting Lever	1
7	10-43	Knurled Head Screw	1
8	09-09	Dial Knob	1
9	10-44	Capstan Nut	4
10	09-08	Panel Dial Plate	1
11	09-07	Stitch Length Control Panel Housing	1
12	09-10	Stitch Regulation Nut	2
13	09-11	Hinge Pin	1
14	09-15	Stitch Length Clamp Lever	1
15	09-17	Upper Stitch Length Control	1
16	10-45	Hex. Soc. Set. Screw	2
17	09-20	Stop Pin	2
18	10-46	Hex. Soc. Flat Hd. Cap Screw	1
19	10-47	Hex. Soc. Hd. Cap Screw	1
20	10-48	Hex. Soc. Hd. Cap Screw	2
21	09-02	Stitch Shortening Control Pivot Shaft	1
22	10-49	Hex. Soc. Hd. Cap Screw	1
23	10-50	Hex. Soc. Hd. Cap Screw	1
24	10-51	Connecting Rod	1
25	10-52	Hex. Soc. Hd. Cap Screw	4
26	10-53	Guide Bar	1
27	09-16	Connecting Pin	1
28	10-54	Hex. Soc. Hd. Cap Screw	1

**ITALIA STITCH C-700  
PARTS LIST**



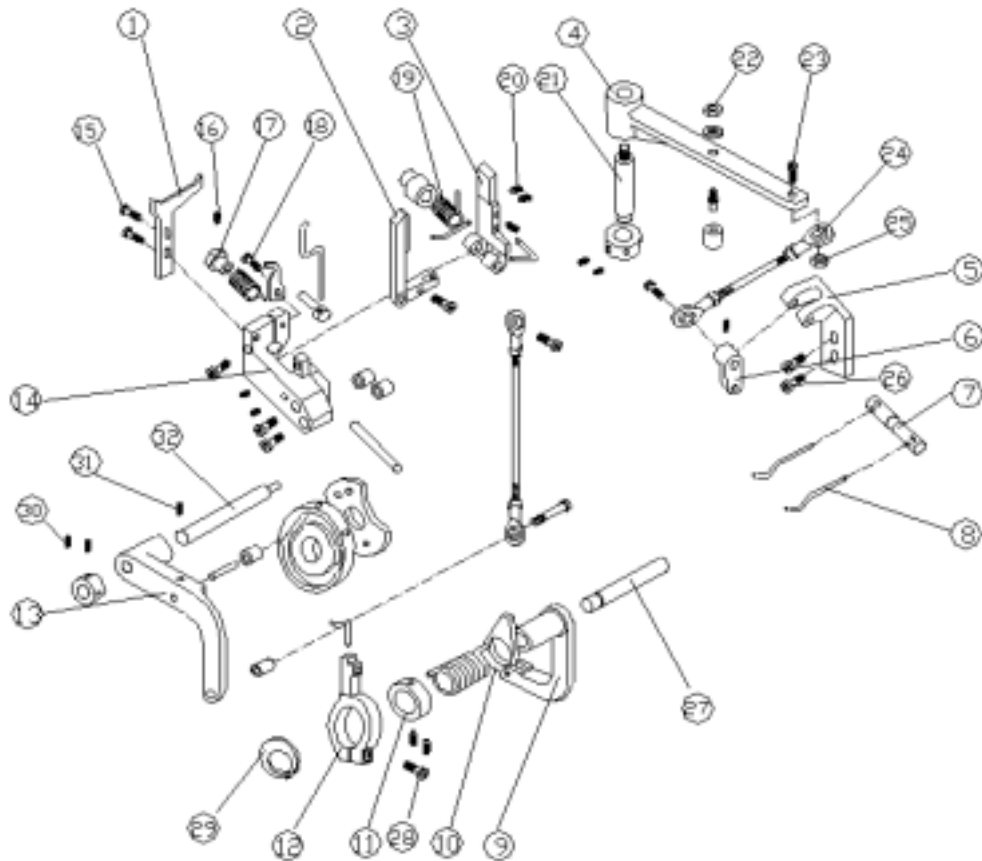
Item	Part Number	Description	Qty
1	07-07	Access Cover	1
2	10-55	Access Cover	1
3	02-22	Gear	1
4	06-16	Gear	1
5	07-09	Cover	1
6	10-56	Plug	1
7	02-24	Collar	1
8	02-23	Pulley	1
9	02-25	Hand Wheel	1
10	09-29	Screw	1
11	10-57	Arrow Plate	1
12	10-58	Pulley	1
13	07-08	Head	1
14	01-17	Lever-guide	1
15	01-08	Walking Pressing Lifting Eccentric	1
16	02-20	Needle Bar Crank	1
17	06-26	Upper Loper Drive Cam	1
18	07-06	Head Front Cover	1
19	10-59	Hex. Soc. Set. Screw	4
20	10-60	Hex. Soc. Hd. Cap Screw	2
21	10-61	Ball Bearing	2
22	10-62	Ball Bearing	2
23	10-63	Hex. Soc. Set. Screw	4
24	10-64	Hex. Soc. Hd. Cap Screw	4
25	10-65	Hex. Soc. Set. Screw	1
26	10-66	Hex. Soc. Flat Hd. Cap Screw	2
27	10-67	Hex. Soc. Set. Screw	2
28	10-68	Hex. Soc. Set. Screw	2
29	02-21	Upper Main Shaft	1
30	10-69	Hex. Soc. Set. Screw	2
31	06-18	Upper Cam Shaft	1
32	10-70	Hex. Soc. Hd. Cap Screw	4

**ITALIA STITCH C-700  
PARTS LIST**



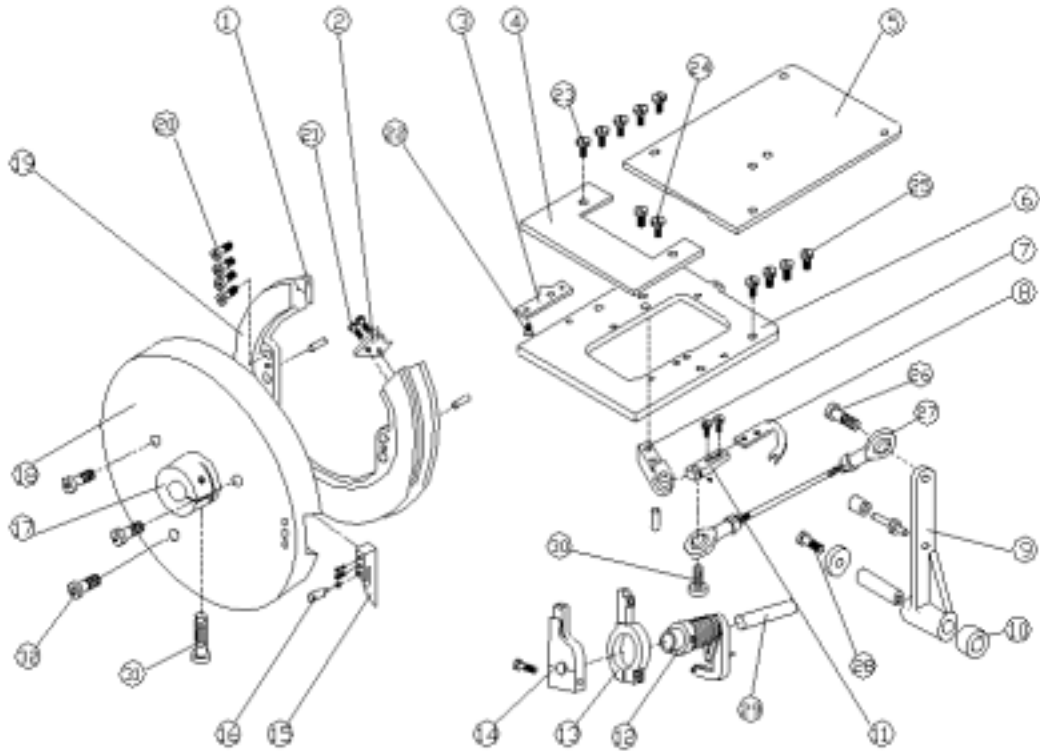
Item	Part Number	Description	Qty
1	06-35	Knee Lifter Connection Lever	1
2	06-20	Knee Lifter Rock Shaft Crank	1
3	06-06	Connection	1
4	06-24	Knee Lifter Lever	1
5	06-02	Knee Lifter Plate	1
6	06-03	Knee Lifter Pad	1
7	06-22	Screw Stud	2
8	06-11	Lifting Crank	1
9	10-71	Hex. Soc. Set. Screw	2
10	06-27	Knee Lifter Rock Shaft	1
11	10-72	Hex. Soc. Hd. Cap Screw	1
12	10-73	Ball Joint	1
13	06-04	Lever Stud	1
14	10-74	Hex. Soc. Hd. Cap Screw	1
15	10-75	Hex. Soc. Hd. Cap Screw	1
16	10-76	Hex. Soc. Set. Screw	1
17	10-77	Hex. Soc. Hd. Cap Screw	1
18	06-07	Knee Lever Pivot Shaft	1
19	10-78	Hex. Soc. Hd. Cap Screw	1
20	10-79	Hex. Soc. Hd. Cap Screw	2

ITALIA STITCH C-700  
PARTS LIST



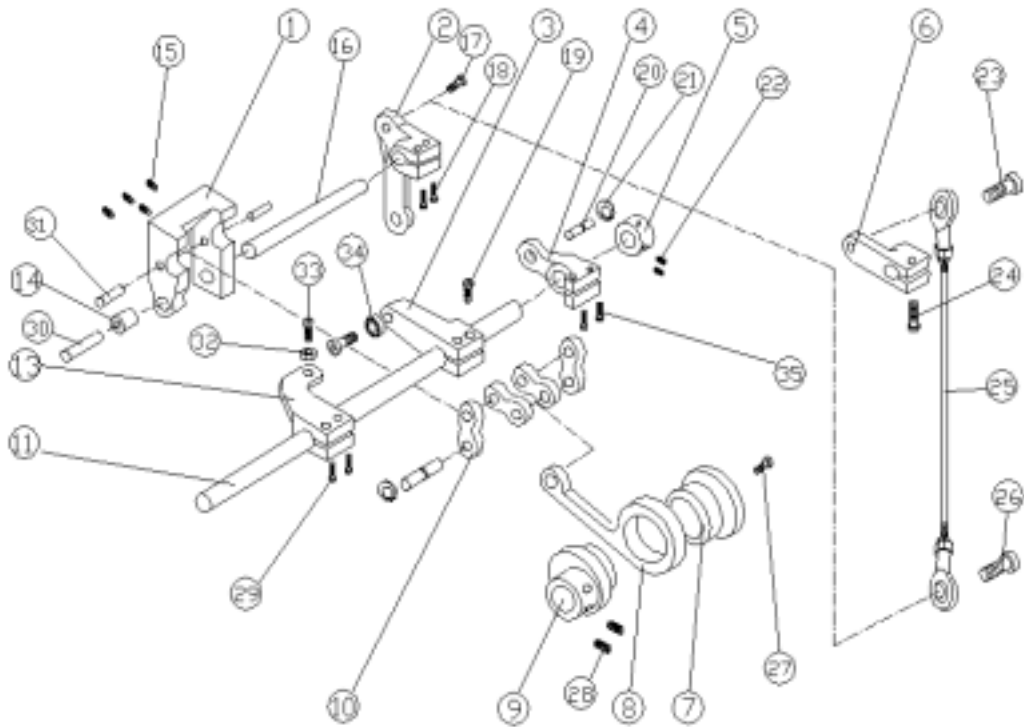
Item	Part Number	Description	Qty
1	03-27	Thread Support Plate	1
2	03-16	Left Hand Tension Prong	1
3	03-25	Right Hand Tension Prong	1
4	05-28	Thread Lifting Finger Assembly	1
5	03-22	Lifting Finger Support Racket	1
6	03-21	Lifting Finger Crank	1
7	03-19	Thread Lifting Finger Shaft	1
8	03-18	Lifting Finger	2
9	05-29	Pull-off Finger Pivot Lever	1
10	05-31	Pawl	1
11	05-18	Adjusting Collar	1
12	05-20	Pull-off Finger Holder	1
13	04-17	Tension Drive Lever	1
14	04-41	Tension Support Bracket	1
15	10-80	Hex. Soc. Hd. Cap Screw	2
16	10-81	Hex. Soc. Set. Screw	1
17	04-35	Spring Tension Collar	1
18	10-82	Screw	1
19	10-83	Spring	1
20	10-84	Hex. Soc. Set. Screw	3
21	05-12	Hinge Stud	1
22	10-85	Nut	1
23	10-86	Hex. Soc. Hd. Cap Screw	1
24	10-87	Ball Joint	1
25	10-88	Nut	1
26	10-89	Hex. Soc. Hd. Cap Screw	2
27	05-19	Needle Guard Carrier Shaft	1
28	10-90	Hex. Soc. Hd. Cap Screw	1
29	10-91	Retaining Ring	1
30	10-92	Hex. Soc. Set. Screw	2
31	10-93	Hex. Soc. Set. Screw	1
32	04-24	Hinge Stud	1

ITALIA STITCH C-700  
PARTS LIST



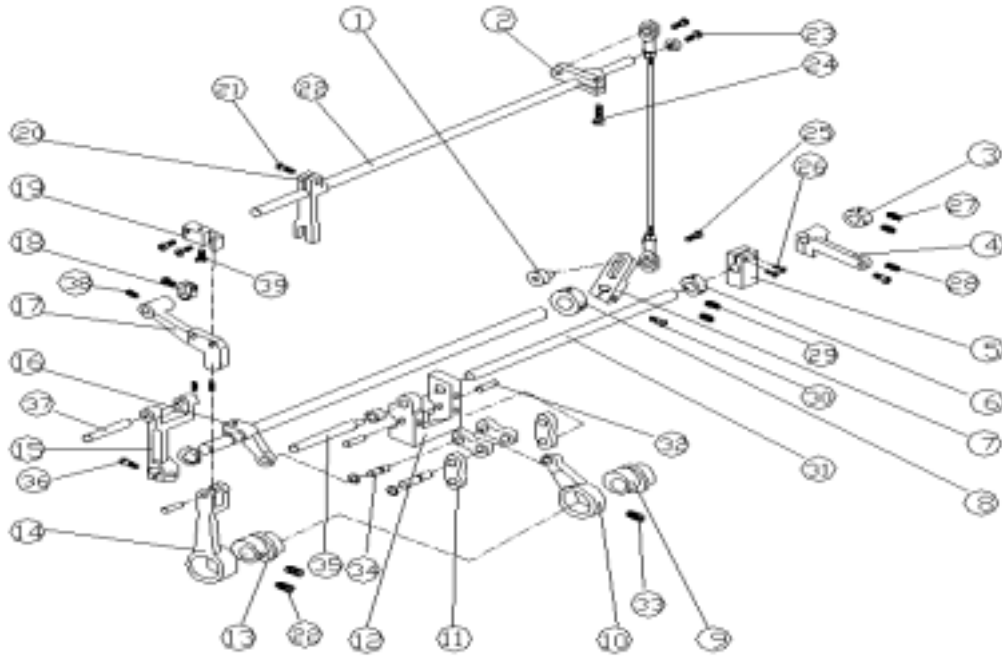
Item	Part Number	Description	Qty
1	05-26	Stationary Rim	1
2	05-30	Thread Guide Plate	1
3	07-18	Thread Separator	1
4	07-17	Left Hand Cover Frame	1
5	07-21	Right Hand Cover Frame	1
6	07-20	Throad Plate Support Frame	1
7	05-04	Hinge Fork	1
8	05-01	Spreader	1
9	05-28	Spreader Drive Lever	1
10	05-08	Hex. Nut	1
11	05-02	Spreader Holder	1
12	05-29	Pull-off Finger Assembly	1
13	05-20	Clamp	1
14	05-21	Needle Guide	1
15	05-16	Lower Looper	1
16	05-17	Sheaver Shaft	1
17	05-07	Detachable Hub	1
18	05-14	Looper Wheel	1
19	05-13	Stationary Rim	1
20	10-94	Hex. Soc. Hd. Cap Screw	4
21	10-95	Hex. Soc. Hd. Cap Screw	2
22	10-96	Hex. Soc. Hd. Cap Screw	2
23	10-97	Hex. Soc. Flat Hd. Cap Screw	5
24	10-98	Hex. Soc. Flat Hd. Cap Screw	2
25	10-99	Hex. Soc. Flat Hd. Cap Screw	4
26	10-100	Hex. Soc. Hd. Cap Screw	1
27	10-101	Ball Joint	1
28	10-102	Hex. Soc. Flat Hd. Cap Screw	1
29	05-19	Stud	1
30	10-103	Screw	1
31	10-104	Hex. Soc. Cap Screw	1
32	10-105	Hex. Soc. Cap Screw	3

**ITALIA STITCH C-700  
PARTS LIST**



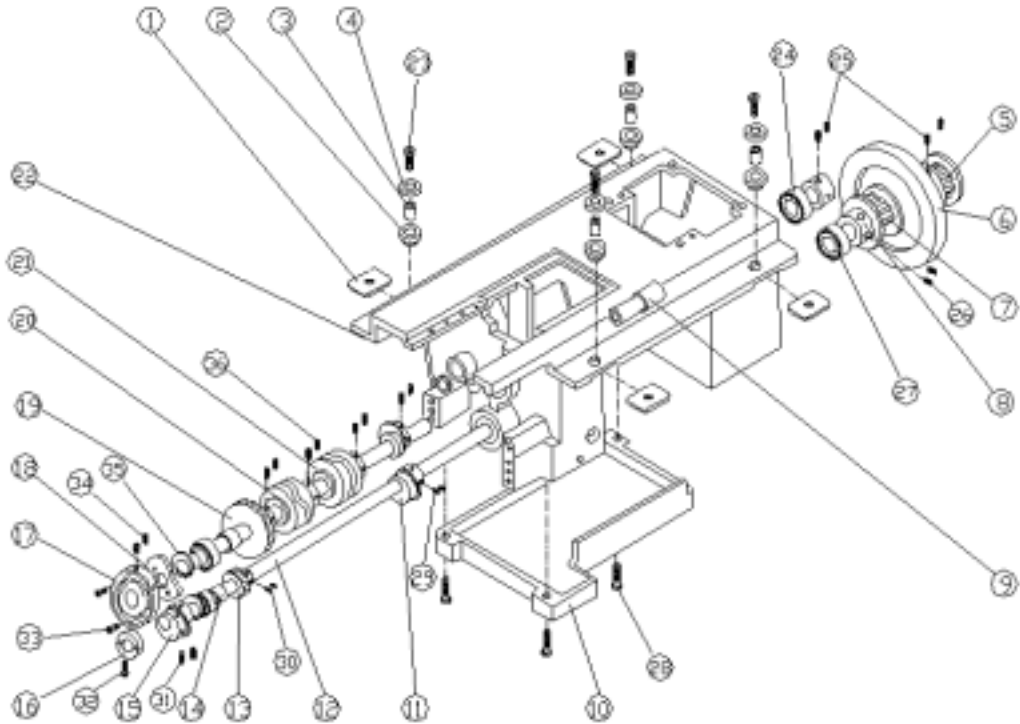
Item	Part Number	Description	Qty
1	03-51	Feed Frame	1
2	03-45	Stitch Shortening Control Lever	1
3	03-38	Stitch Shortening Roller Lever	1
4	03-49	Stitch Shortening Rock Shaft	1
5	03-07	Collar	1
6	03-57	Panel Clamp Lever	1
7	03-42	Needle Bearing	1
8	03-43	Stitch Shortening Connecting Rod	1
9	03-41	Stitch Shortening Eccentric	1
10	03-53	Link	1
11	03-01	Stitch Shortening Control Shaft	1
12			
13	03-39	Stitch Shortening Rock Shaft	1
14	10-106	Needle Bearing	1
15	10-107	Hex. Soc. Set. Screw	4
16	03-44	Stitch Shortening Control Shaft	1
17	10-108	Hex. Soc. Hd. Cap Screw	1
18	10-109	Hex. Soc. Hd. Cap Screw	2
19	10-110	Hex. Soc. Hd. Cap Screw	2
20	03-50	Stud	1
21	10-111	Retaining Ring	1
22	10-112	Hex. Soc. Set. Screw	2
23	10-113	Hex. Soc. Hd. Cap Screw	1
24	10-114	Hex. Soc. Set. Screw	1
25	10-115	Connecting Rod	1
26	10-116	Hex. Soc. Hd. Cap Screw	1
27	10-117	Hex. Soc. Hd. Cap Screw	1
28	10-118	Hex. Soc. Set. Screw	2
29	10-119	Hex. Soc. Hd. Cap Screw	2
30	03-54	Stud	2
31	03-50	Stud	2
32	10-120	Nut	1
33	10-121	Hex. Soc. Hd. Cap Screw	1
34	10-122	Ball Bearing	1
35	10-123	Hex. Soc. Hd. Cap Screw	2

**ITALIA STITCH C-700  
PARTS LIST**



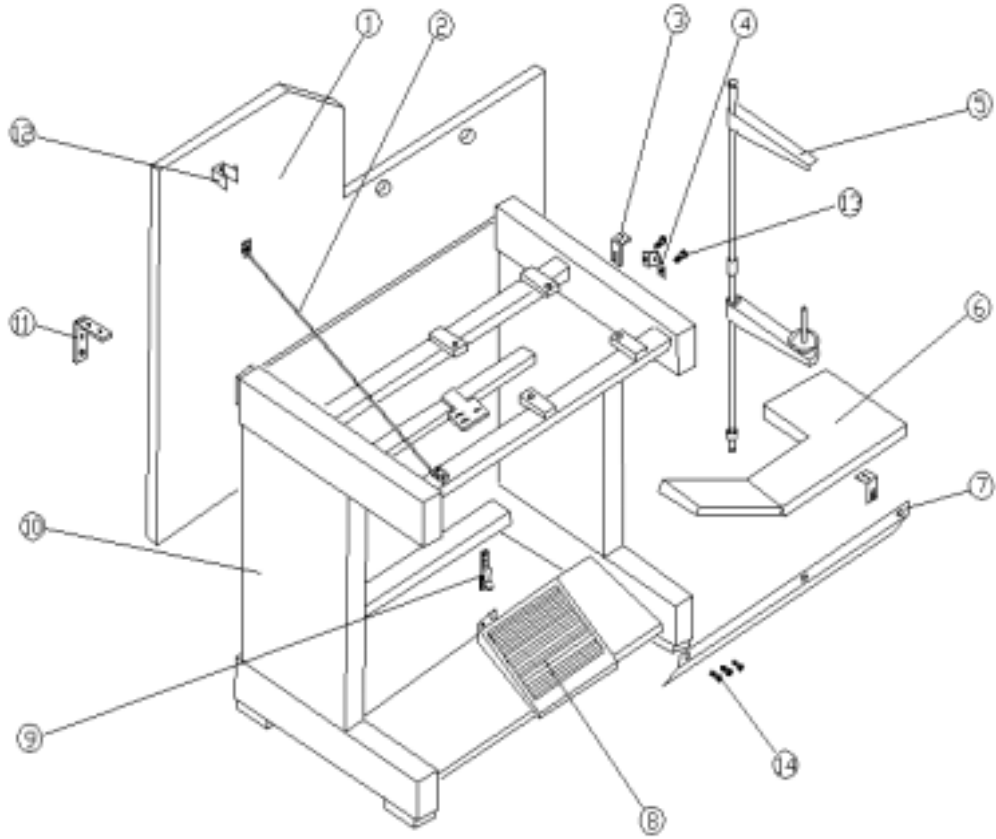
Item	Part Number	Description	Qty
1	03-33	Ring Nut	1
2	03-57	Upper Feed Crank Rock Clamp	1
3	03-07	Collar	1
4	03-10	Stitch Length Control Clamp Lever	1
5	03-11	Clamp Block	1
6	10-124	Collar	1
7	07-33	Upper Feed Differentiating Crank	1
8	10-125	Collar	1
9	03-41	Main Feed Eccentric	1
10	03-43	Main Feed Driving Connecting Rod	1
11	03-53	Cam	4
12	03-51	Feed Frame	1
13	03-12	Feed Lift Eccentric	1
14	03-24	Feed Lift Cennecting Rod	1
15	03-19	Feed Dog Carrier Bar-Crank	1
16	03-31	Feed Dog Carrier Bar-Crank	1
17	03-20	Feed Dog Carrier Bar	1
18	10-126	Clamp Collar	1
19	03-22	Feed Dog Holder	1
20	01-19	Fork Lever	1
21	10-127	Hex. Soc. Hd. Cap Screw	1
22	10-128	Upper Feed Rock Shaft	1
23	10-129	Hex. Soc. Hd. Cap Screw	2
24	10-130	Hex. Soc. Hd. Cap Screw	1
25	10-131	Hex. Soc. Hd. Cap Screw	1
26	10-132	Hex. Soc. Hd. Cap Screw	2
27	10-133	Hex. Soc. Hd. Cap Screw	2
28	10-134	Hex. Soc. Set. Screw	2
29	10-135	Hex. Soc. Set. Screw	2
30	10-136	Hex. Soc. Hd. Cap Screw	1
31	10-137	Feed Dog Frame Pivot Shaft	1
32	10-138	Stud	2
33	10-139	Hex. Soc. Set. Screw	1
34	10-140	Stud	2
35	10-141	Hinge Stud	1
36	10-142	Hex. Soc. Set. Screw	1
37	10-143	Hex. Soc. Hd. Cap Screw	1
38	10-144	Hinge Stud	1
39	10-145	Hex. Soc. Set. Screw	3

**ITALIA STITCH C-700  
PARTS LIST**



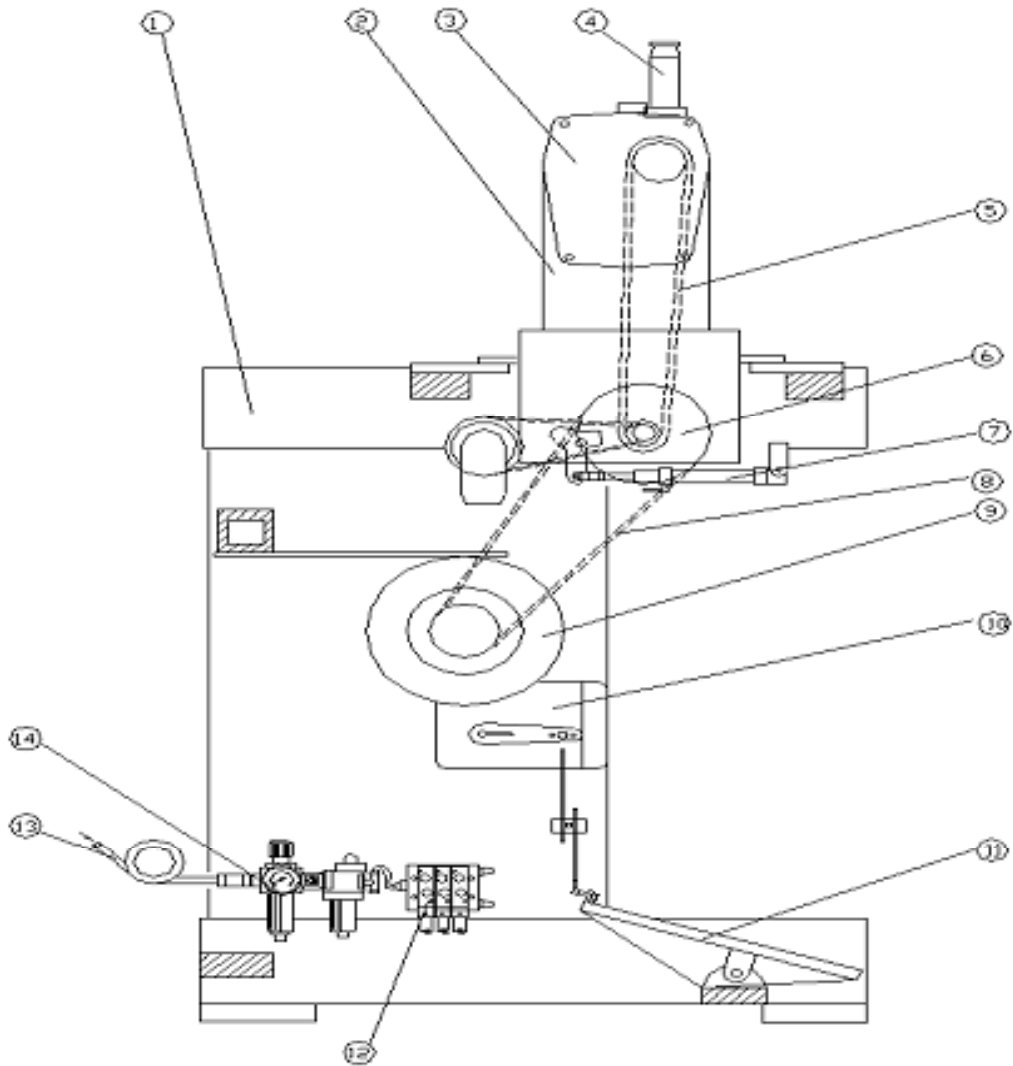
Item	Part Number	Description	Qty
1	09-28	Support Pad	1
2	09-27	Rubber Insulator	1
3	10-146	Spacer	1
4	09-31	Washer	1
5	03-03	Pulley	1
6	03-04	Main Pulley With Timing Belt Pully	1
7	03-05	Pulley	1
8	10-147	Lower Timing Belt Pulley	1
9	10-148	Bushing	1
10	09-36	Buttom Cover	1
11	03-12	Main Feed Eccentric	1
12	03-06	Lower Main Shaft	1
13	03-55	Driving Gear	1
14	10-149	Spacer	1
15	03-15	Feed Lifting Eccentric	1
16	10-150	Looper Wheel Stop Collar	1
17	04-03	Tension Drive Cam	1
18	05-05	Pull-off Finger Cam	1
19	04-42	Driver Gear	1
20	05-24	Spreader Cam	1
21	04-15	Thread Lifting Cam	1
22	07-05	Bed	1
23	10-151	Hex. Soc. Flat Hd. Cap Screw	4
24	10-152	Ball Bearing	2
25	10-153	Hex. Soc. Set. Screw	4
26	10-154	Hex. Soc. Set. Screw	2
27	10-155	Ball Bearing	2
28	10-156	Hex. Soc. Flat Hd. Cap Screw	4
29	10-157	Hex. Soc. Set. Screw	2
30	10-158	Hex. Soc. Set. Screw	2
31	10-159	Hex. Soc. Set. Screw	2
32	10-160	Hex. Soc. Flat Hd. Cap Screw	1
33	10-161	Hex. Soc. Flat Hd. Cap Screw	2
34	10-162	Hex. Soc. Set. Screw	2
35	10-163	Retaining Ring	1
36	10-164	Hex. Soc. Set. Screw	8

**ITALIA STITCH C-700  
PARTS LIST**



Item	Part Number	Description	Qty
1	08-05	Table Baord	1
2	10-165	Table Board Support	1
3	08-07	Support Bracket	1
4	09-32	Thread Stand Base	1
5	10-166	Thread Stand Assembly	1
6	08-06	Hinge Table Board	1
7	08-04	Front Trimming	1
8	08-01	Threadle Rubber Pad	1
9	10-167	Toggle Fastener	2
10	10-168	Left Hand Leg Assy	1
11	10-169	Table Board Hinge	1
12	10-170	Fastener Latch	1
13	10-171	Hex. Soc. Flat Hd. Cap Screw	2
14	10-172	Hex. Soc. Flat Hd. Cap Screw	3

ITALIA STITCH C-700  
PARTS LIST



Item	Part Number	Description	Qty
1	10-173	Machine Support Frame	1
2	10-174	Machine Head	1
3	10-175	Head Front Cover	1
4	10-176	Cylinder	1
5	10-177	Timing Belt	1
6	10-178	Timing Belt Pulley	1
7	10-179	Cylinder	1
8	10-180	Timing Belt	1
9	10-181	Motor	1
10	10-182	Electric Box	1
11	10-183	Pedal	1
12	10-184	Valve	3
13	10-185	Tube	1
14	10-186	Air Filter	1